

DATE
February 24, 2007
CATALOG NO.
DHP04045

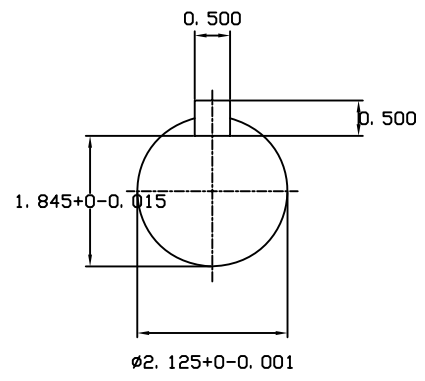
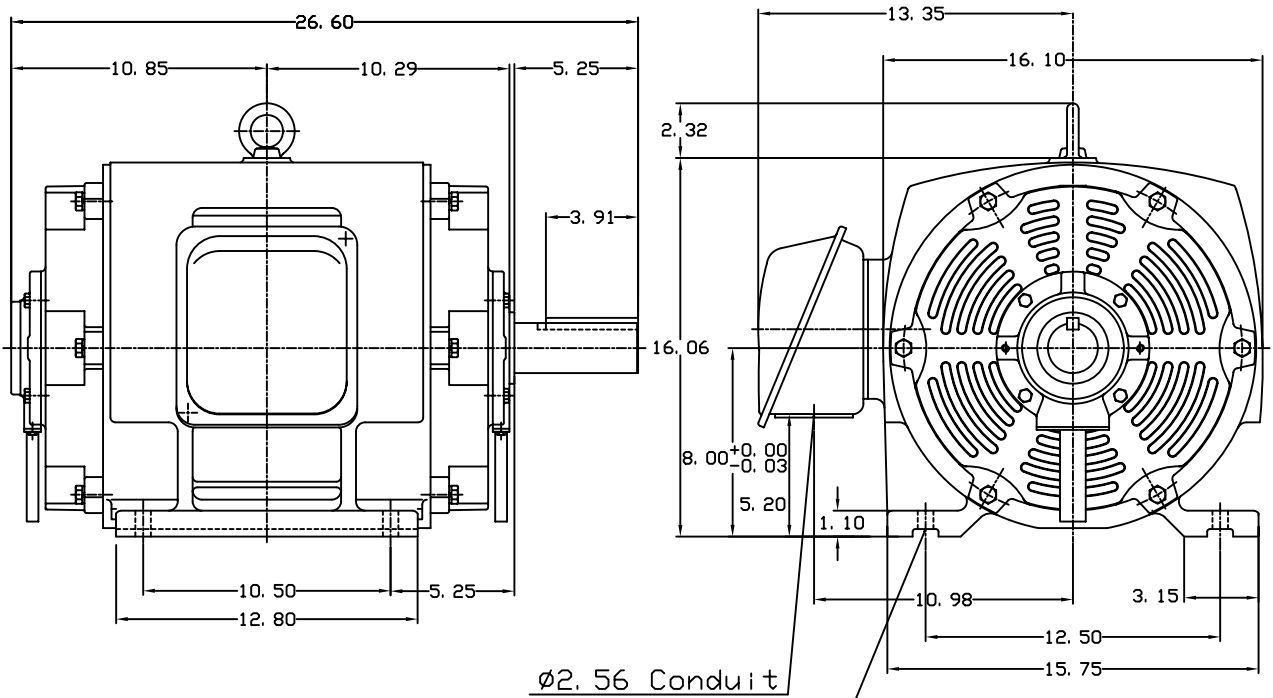
OUTLINE DIMENSIONS
3-PHASE INDUCTION MOTOR

MOTOR TYPE:
ASHH
FRAME NO. 324T

Pole	HP	KW	Hz	VOLT	Syn. Speed RPM
4	40	30	60	575	1800

Ins	Rating	Dimension in	Approx Weight	Bearings	
F	CONT.	inch	520 lbs.	DE: 6213	NDE: 6213

Open Protected Drip-Proof Squirrel-Cage Rotor.



◇		
---	--	--

DWN. J. H. LIANG 12-22-98
CHKD. C. H. KAO 06-10-99
APPD. Y. B. HUANG 06-10-99



DWG NO.
31057H390001